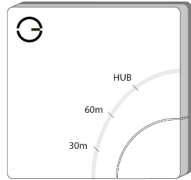
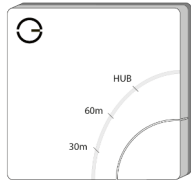


NOTE The Receiver Units are mains powered and require either a separate 3A fused spur or connection directly into the boiler if the boiler is powered from a 3A fused spur.

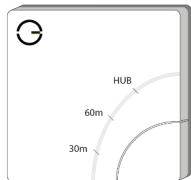
Electric Switch



Electric Switch

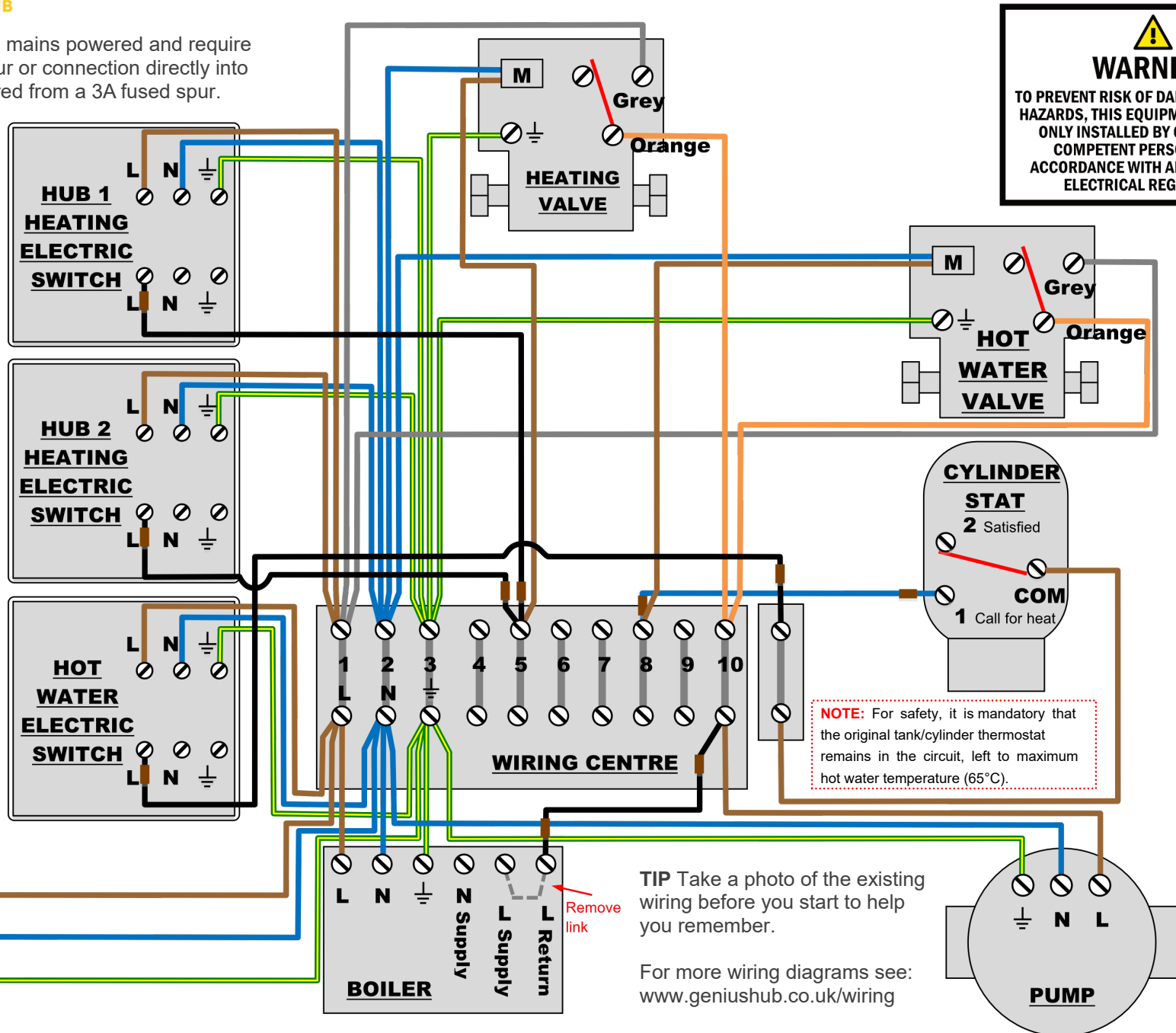
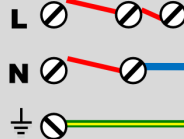


Electric Switch



MAINS SUPPLY

230V 50Hz



WARNING
 TO PREVENT RISK OF DAMAGE OR SAFETY HAZARDS, THIS EQUIPMENT SHOULD BE ONLY INSTALLED BY QUALIFIED OR COMPETENT PERSONS AND IN ACCORDANCE WITH ALL APPLICABLE ELECTRICAL REGULATIONS

NOTE: For safety, it is mandatory that the original tank/cylinder thermostat remains in the circuit, left to maximum hot water temperature (65°C).

TIP Take a photo of the existing wiring before you start to help you remember.

For more wiring diagrams see: www.geniushub.co.uk/wiring

Remove link