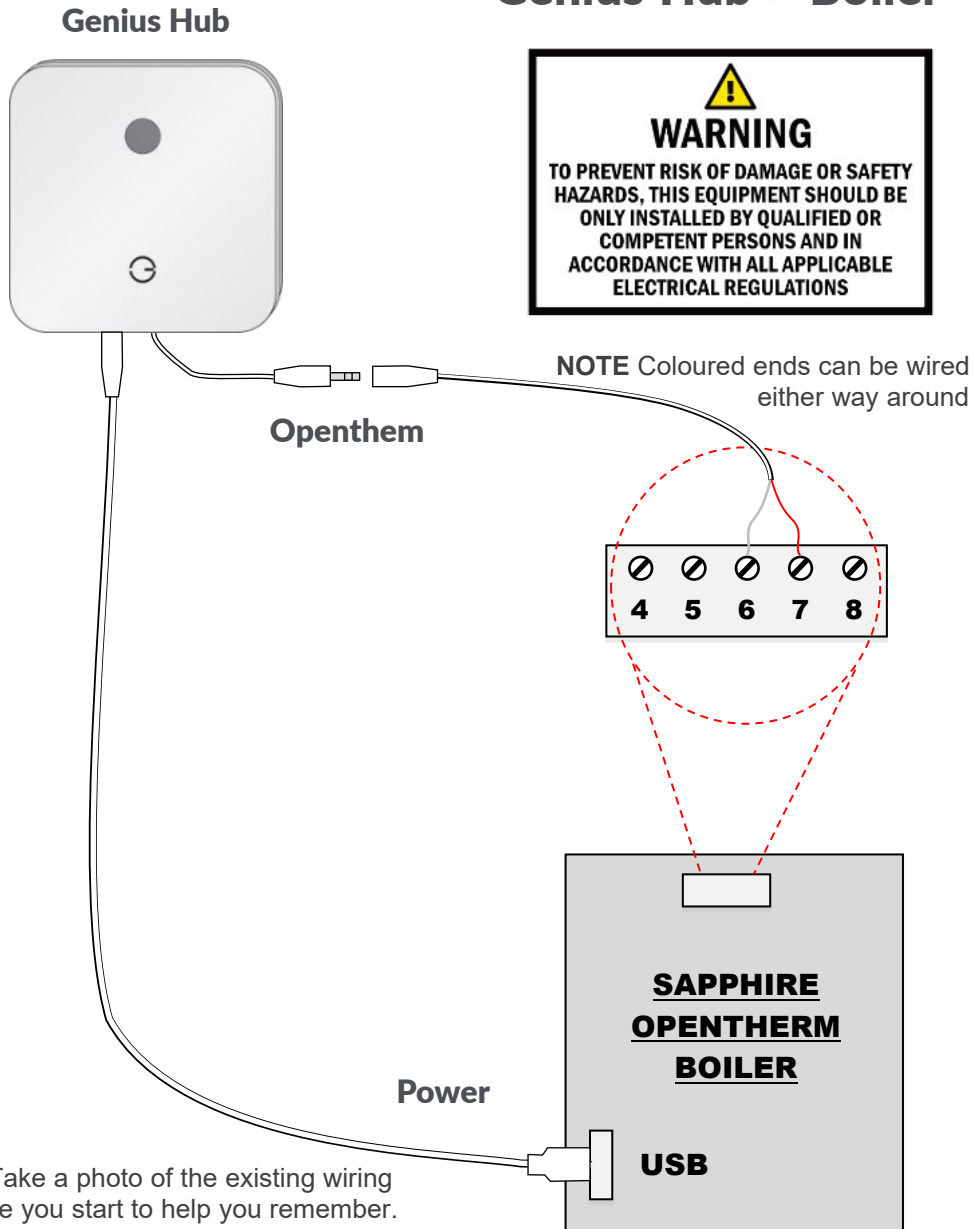
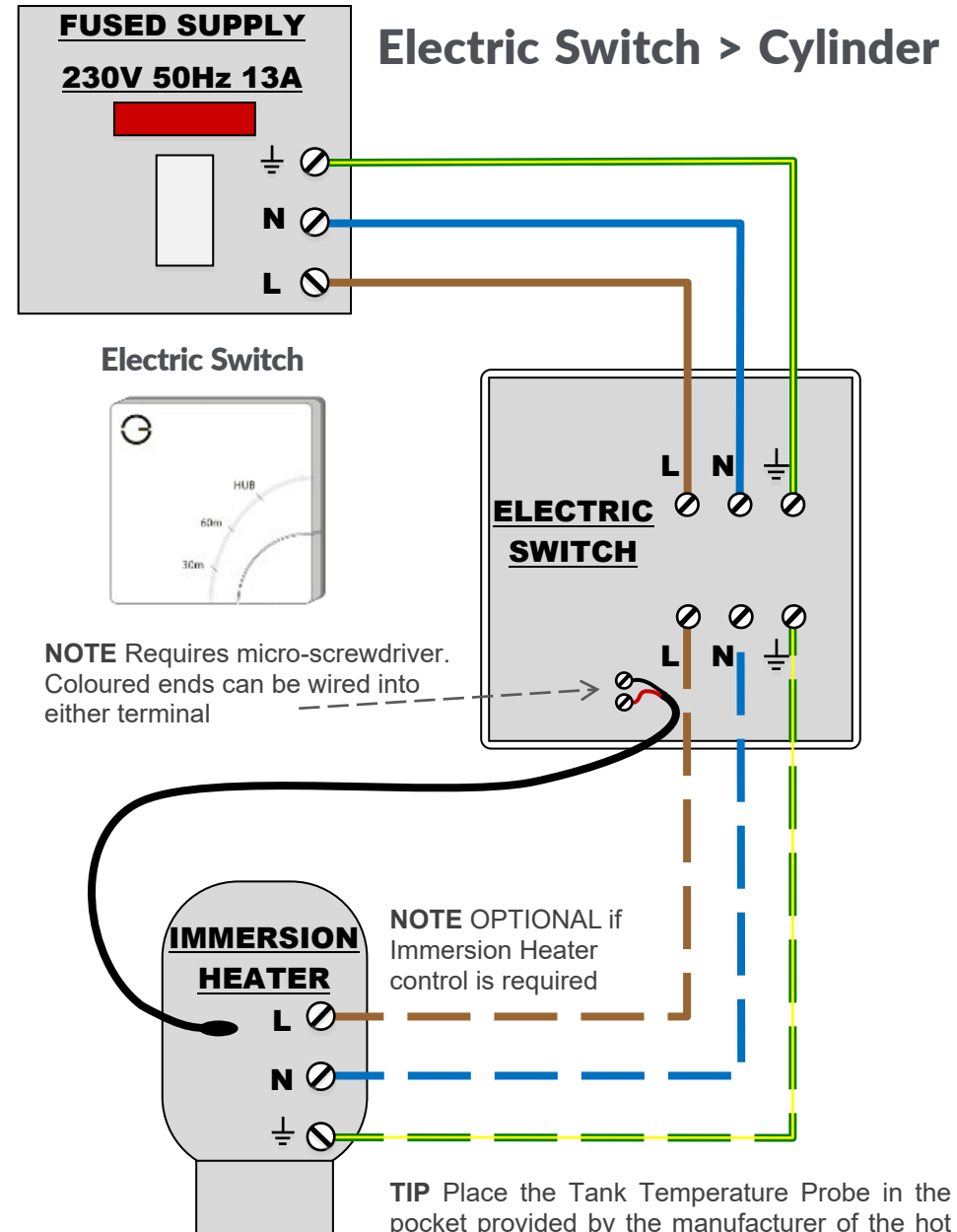


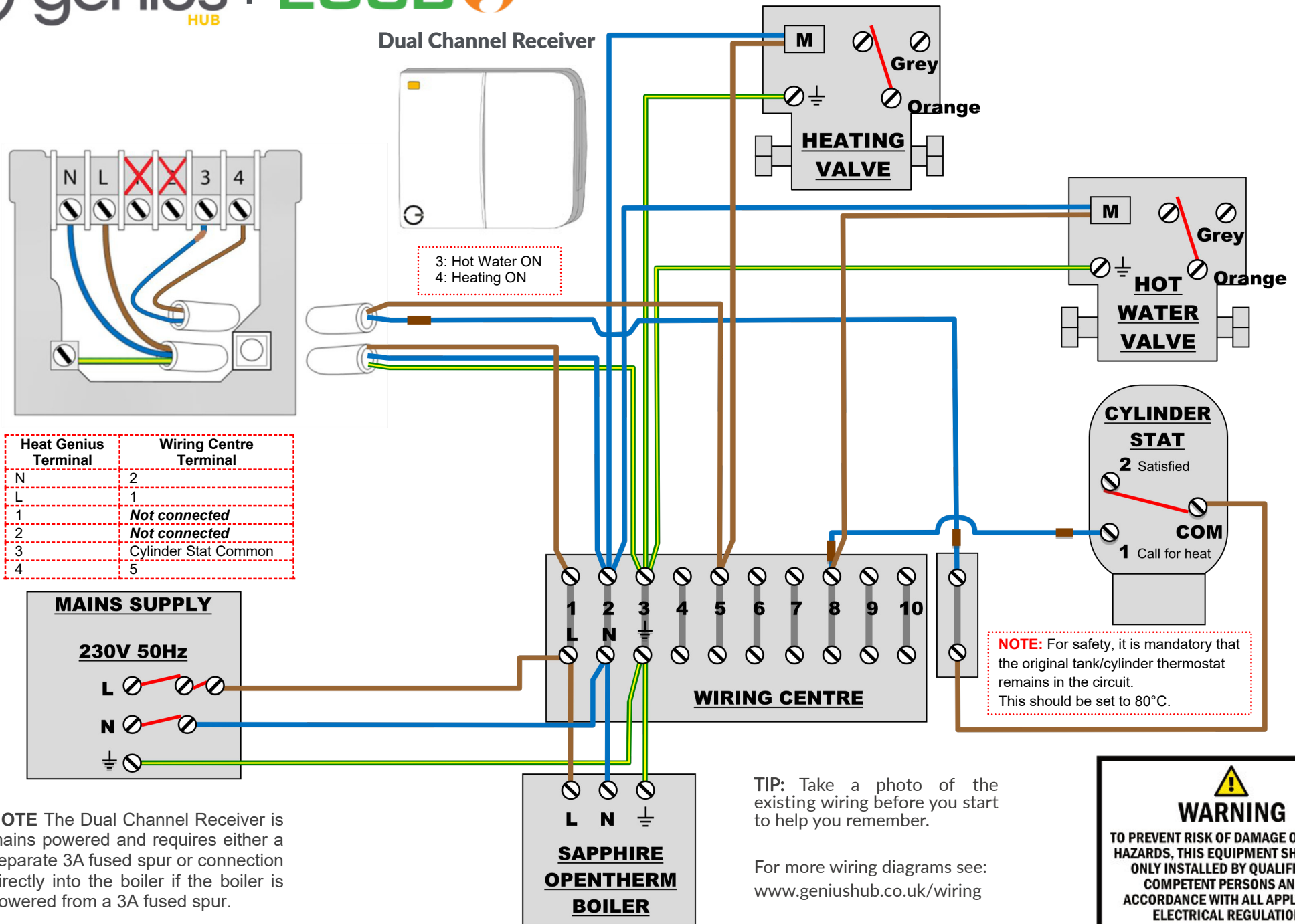
Genius Hub > Boiler



TIP Take a photo of the existing wiring before you start to help you remember.

For more wiring diagrams see:
www.geniushub.co.uk/wiring





NOTE The Dual Channel Receiver is mains powered and requires either a separate 3A fused spur or connection directly into the boiler if the boiler is powered from a 3A fused spur.

TIP: Take a photo of the existing wiring before you start to help you remember.

For more wiring diagrams see:
www.geniushub.co.uk/wiring



WARNING

TO PREVENT RISK OF DAMAGE OR SAFETY HAZARDS, THIS EQUIPMENT SHOULD BE ONLY INSTALLED BY QUALIFIED OR COMPETENT PERSONS AND IN ACCORDANCE WITH ALL APPLICABLE ELECTRICAL REGULATIONS