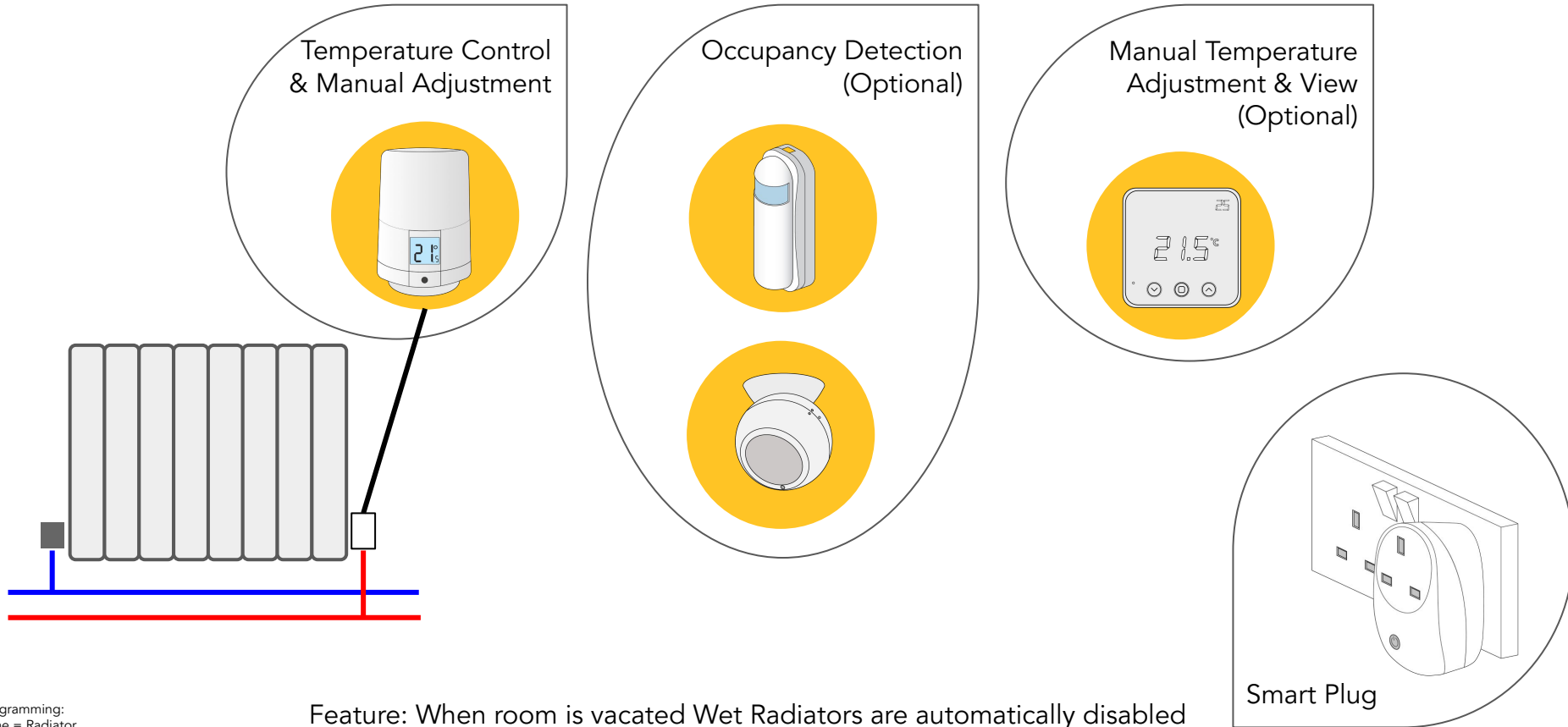


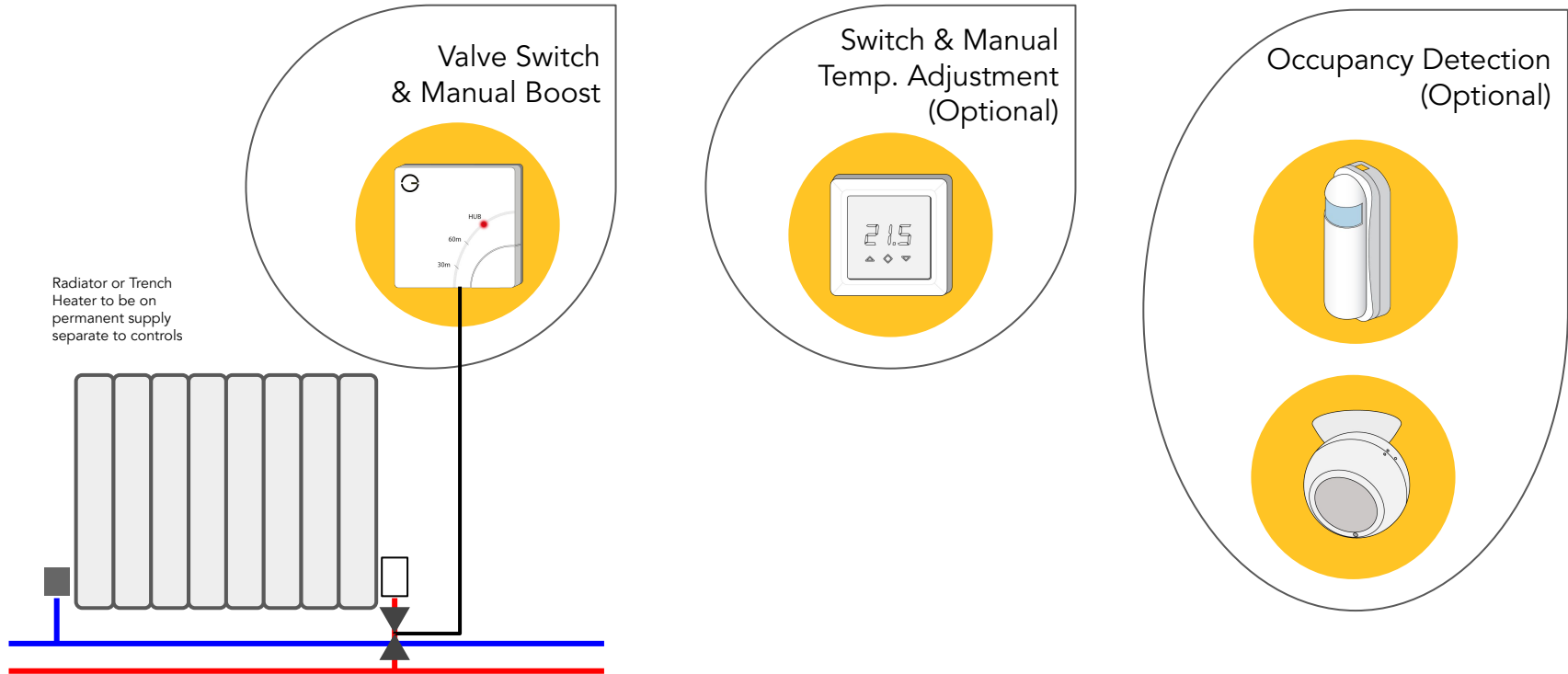
Design and Installation Schematics

Wet Radiator

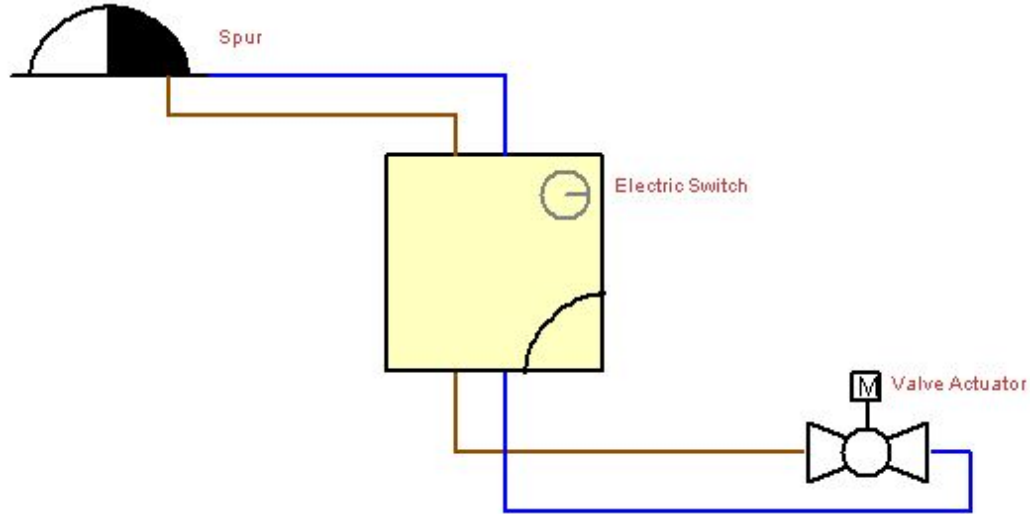


Feature: When room is vacated Wet Radiators are automatically disabled

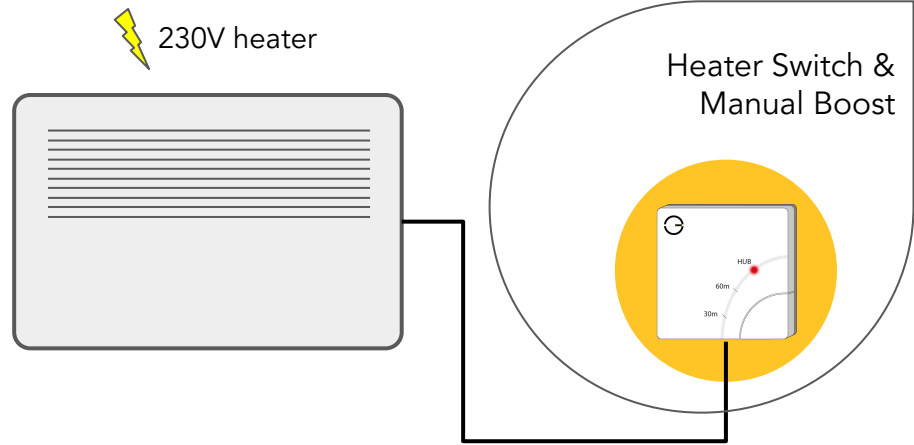
Wet Radiator w/ Electric Actuator



Wet Radiator w/ Electric Actuator - Electrical connections



Electric Heater



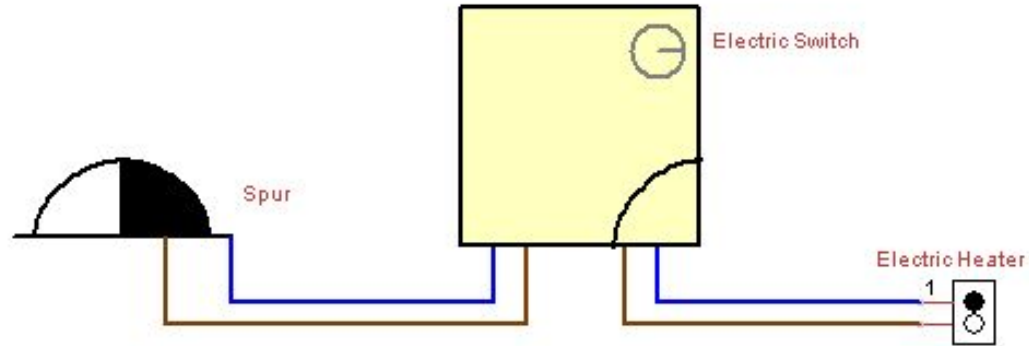
Switch & Manual Temp. Adjustment (Optional)

Occupancy Detection (Optional)

Manual Temperature Adjustment & View (Optional)

Feature: When room is vacated Electric Radiators are automatically disabled

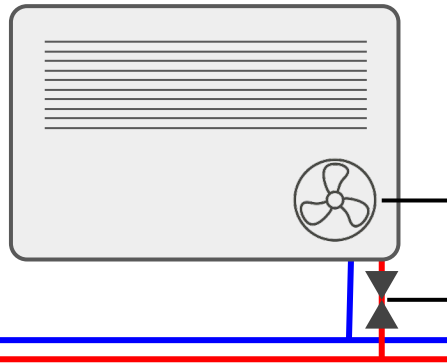
Electric Heater - Electrical connections



Total load <math>< 13\text{A}</math>

Fan Convector Unit (heating)

No factory fitted control panel



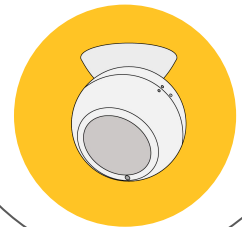
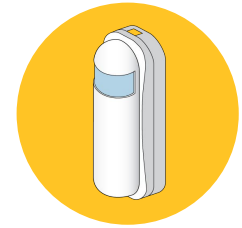
Valve & Fan Switch
and Manual Boost



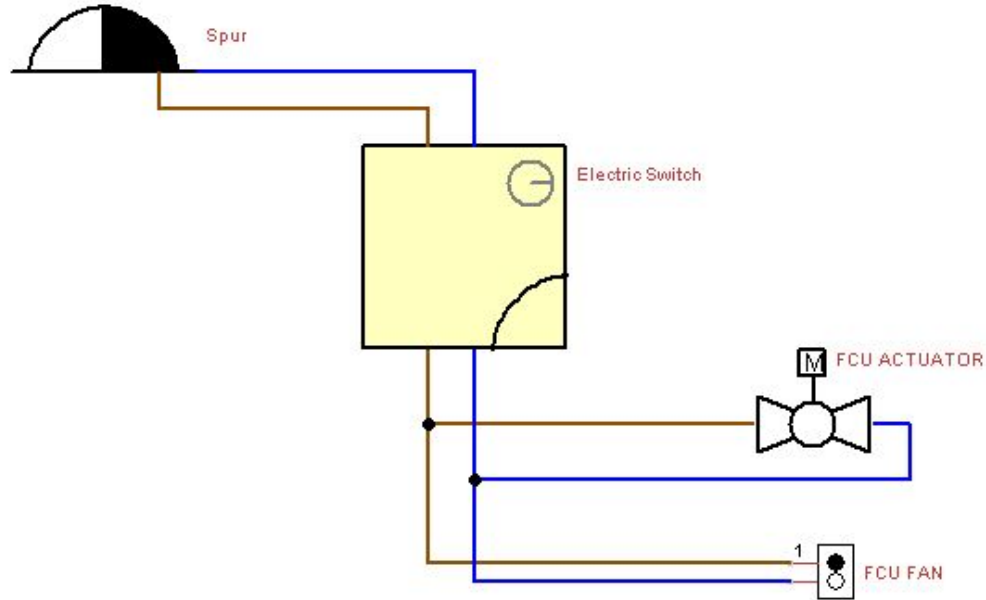
Switch & Manual
Temp. Adjustment
(Optional)



Occupancy Detection
(Optional)

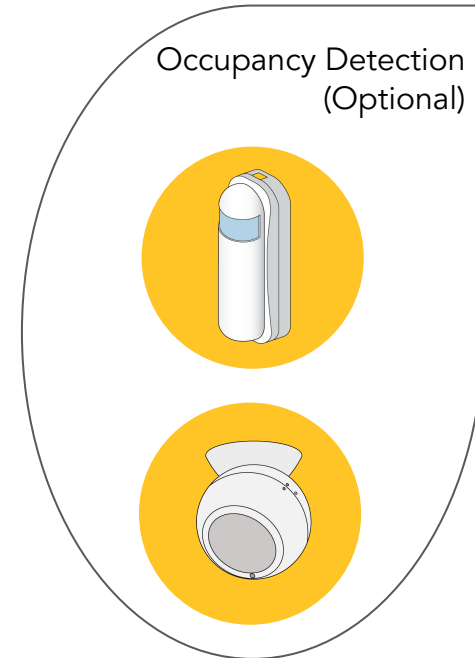
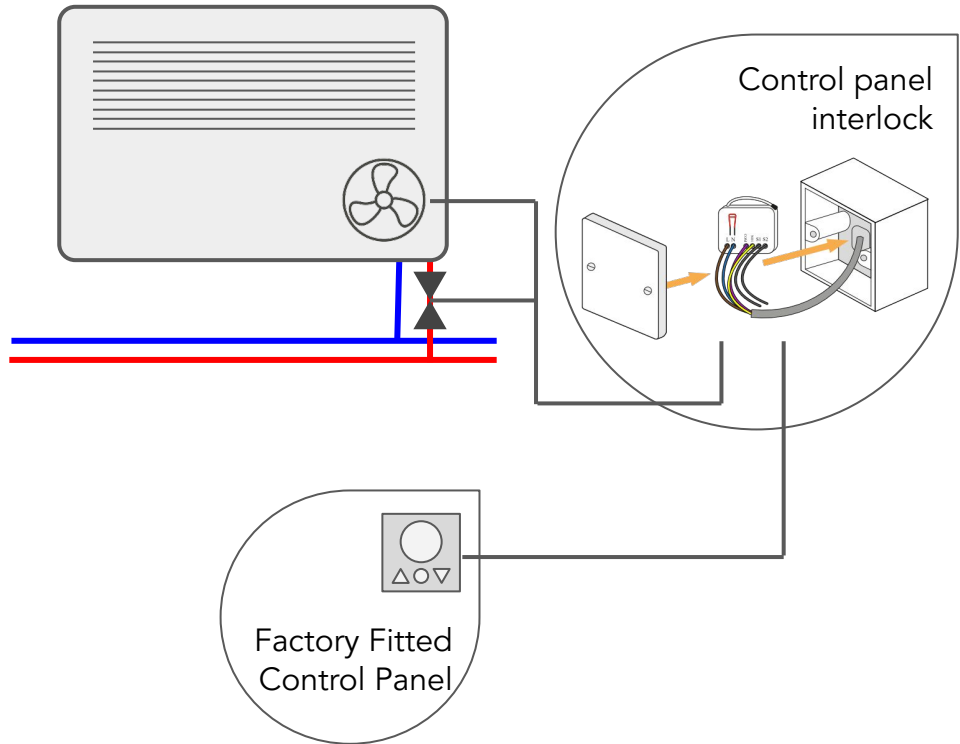


Fan Convector Unit (heating) - Electrical connections



Fan Convector Unit (heating)

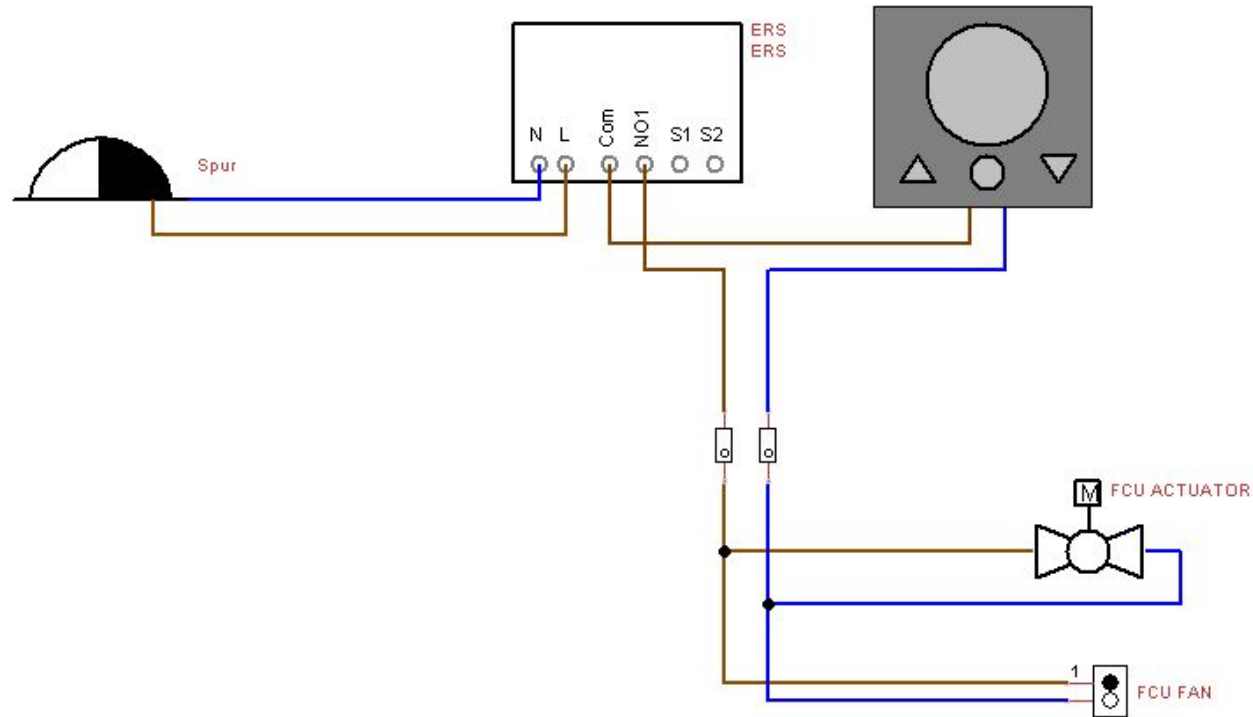
With factory fitted control panel



Feature: When room is vacated FCU is automatically disabled

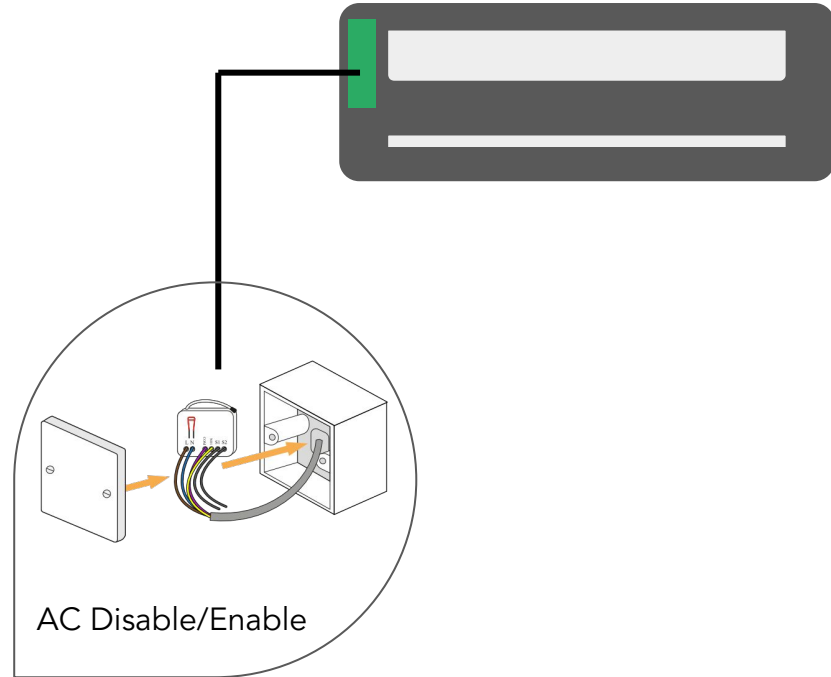
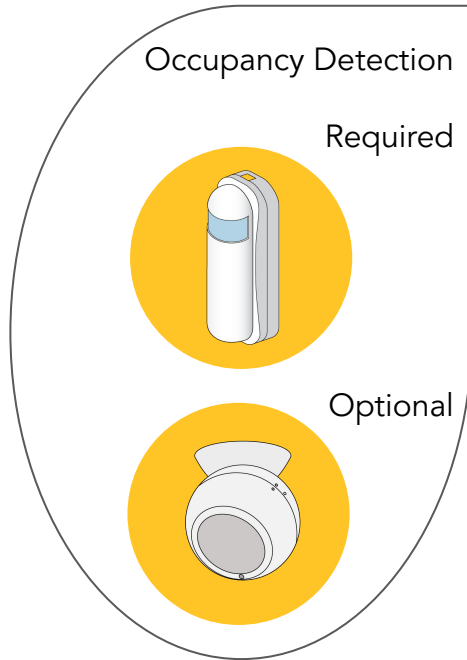
Fan Convector Unit (heating) - Electrical connections

With factory fitted control panel



Air Conditioning (heating & cooling)

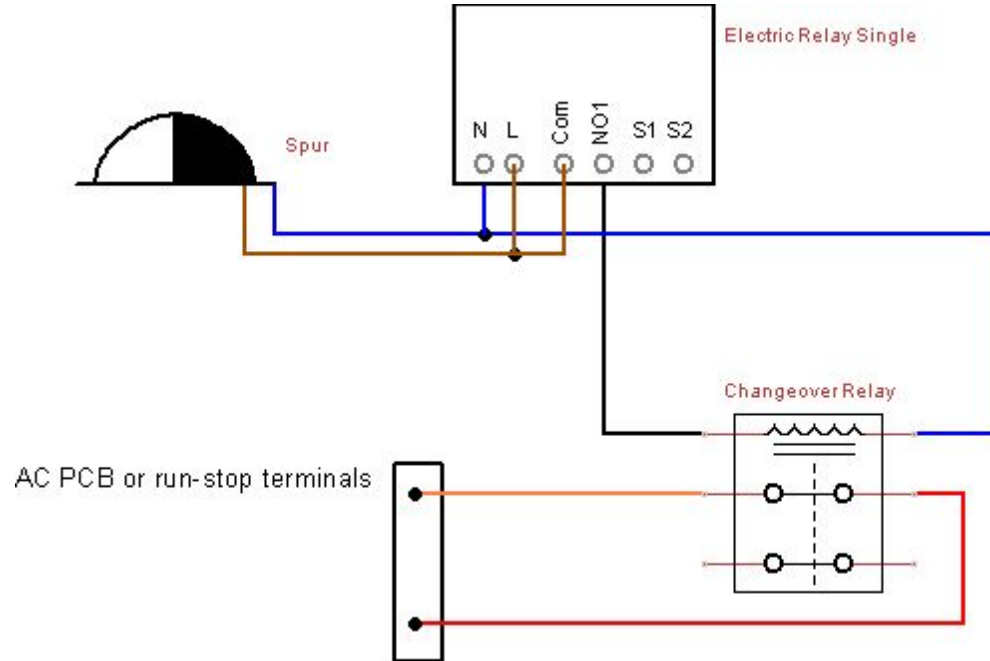
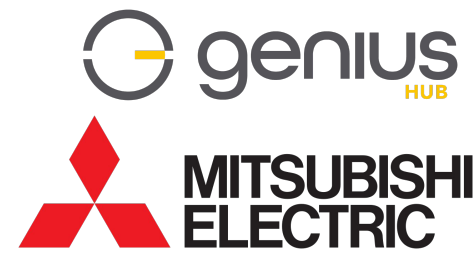
With factory fitted control panel



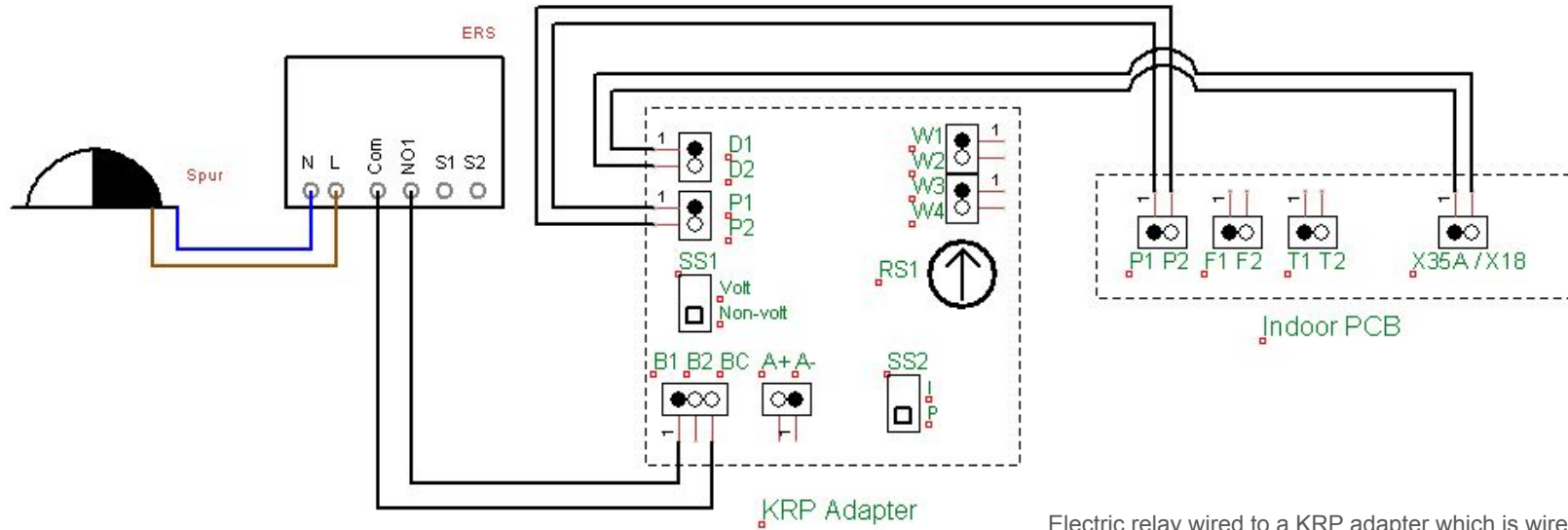
Feature: When room is vacated AC is automatically disabled

When room temperature goes below a frost protect setpoint AC is automatically enabled

Air Conditioning (heating & cooling) - Electrical connections



Air Conditioning (heating & cooling) - Electrical connections

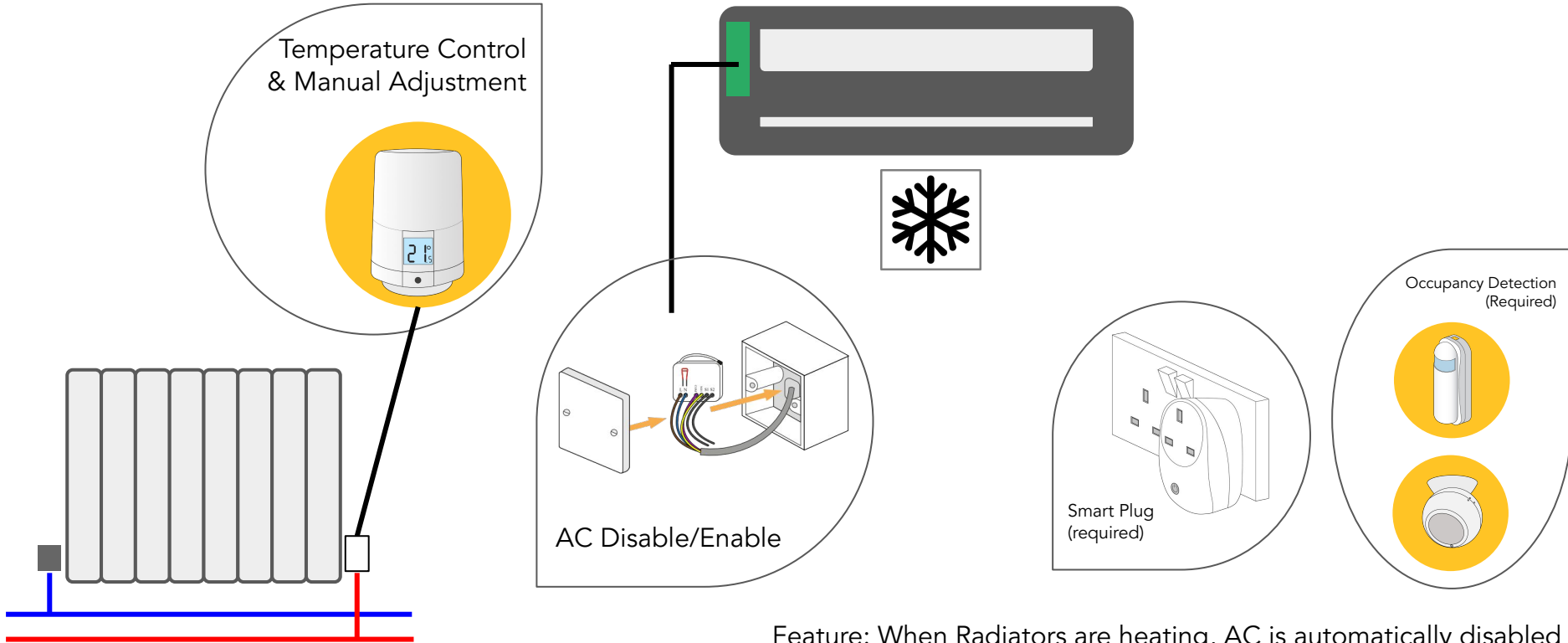


Electric relay wired to a KRP adapter which is wired to the PCB.
KRP Adapters are NOT supplied by Genius Hub

- **RS1 - Position 2**
- **SS1 - non-volt**
- **SS2 - P**
- **D1, D2 to connect to X35A (power supply)**

Radiator and Air Conditioning (cooling)

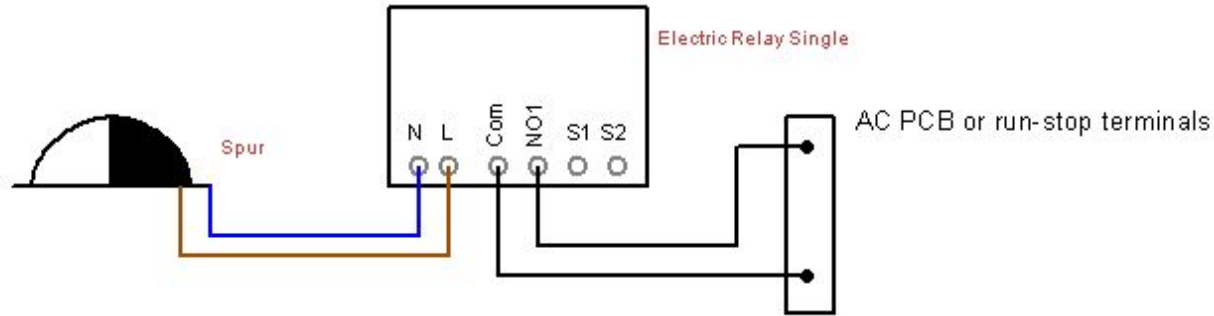
With factory fitted control panel



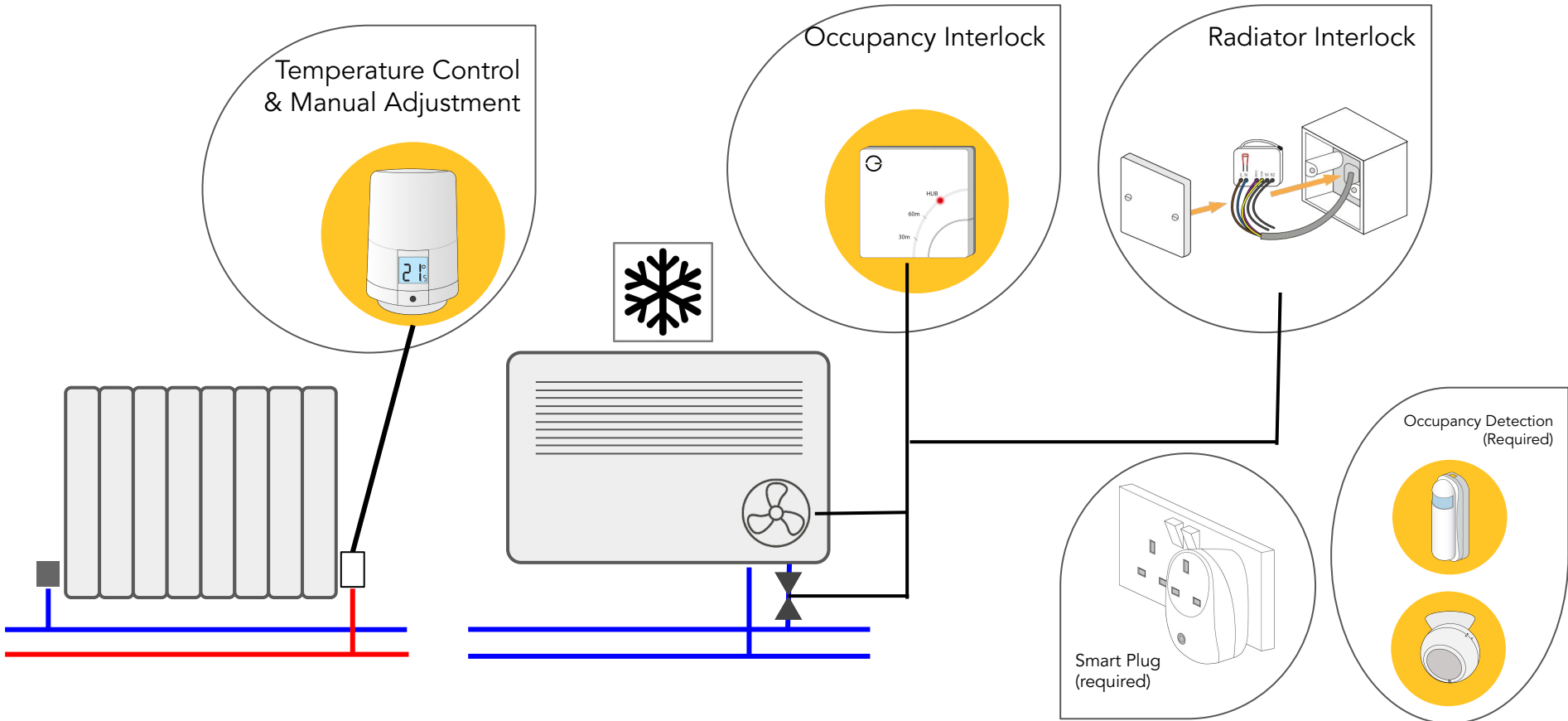
Programming:
Rad Zone = Radiator
AC Zone = On/Off (and TPI for frost protection)

Feature: When Radiators are heating, AC is automatically disabled
When room is vacated Radiators are automatically disabled (not the AC)

Radiator and Air Conditioning (cooling) - Electrical connections



Radiator and FCU (cooling)



Temperature Control & Manual Adjustment

Occupancy Interlock

Radiator Interlock

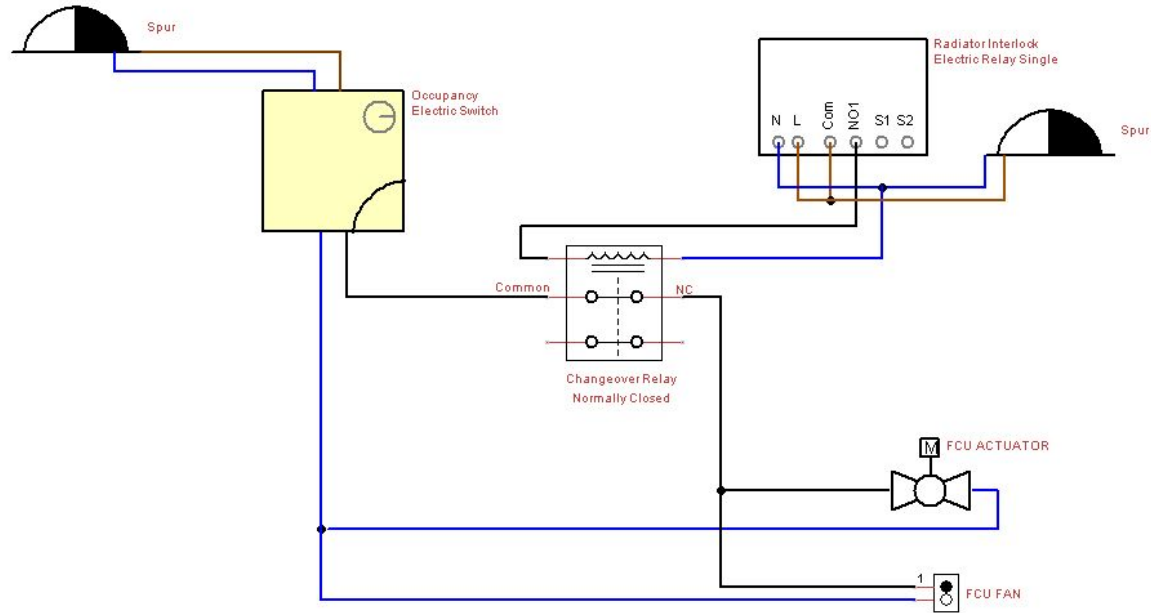
Occupancy Detection (Required)

Smart Plug (required)

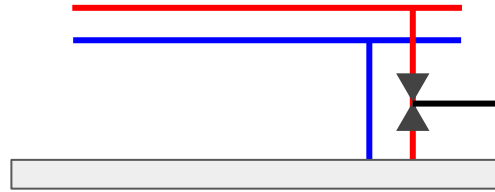
Programming:
Rad Zone = Radiator (includes WRV & ERS)
FCU Zone = On/Off (Includes ESW)
Occupancy triggers assigned to both zones

Feature: When Radiators are heating, FCU is automatically disabled
When room is vacated Radiators and FCU are automatically disabled

Radiator and FCU (cooling) - Electrical connections



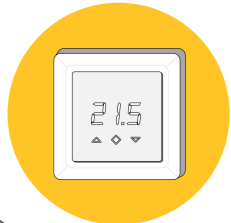
Overhead Radiant Panel (Wet)



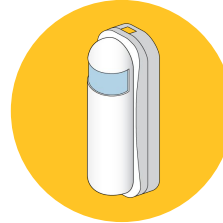
Valve Switch &
Manual Boost



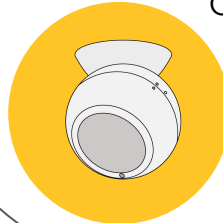
Switch & Manual
Temp. Adjustment
(Optional)



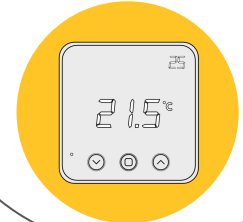
Occupancy Detection
Required



Optional

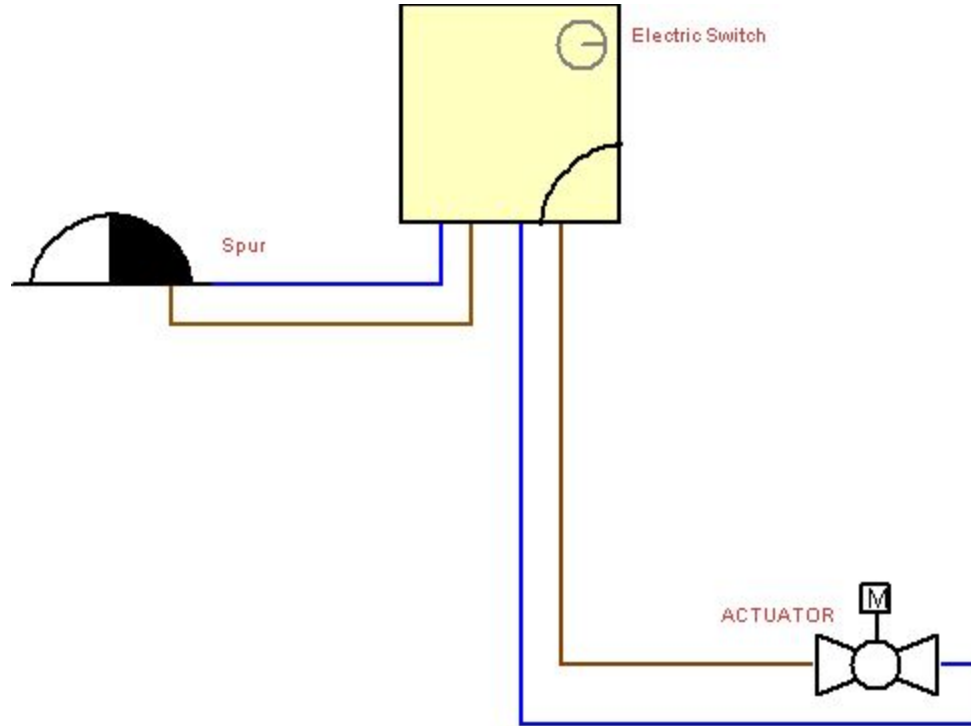


Manual Temperature
Adjustment & View
(Optional)




Feature: When room is vacated Radiant Panels are automatically disabled

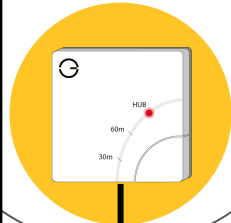
Overhead Radiant Panel (Wet) - Electrical connections



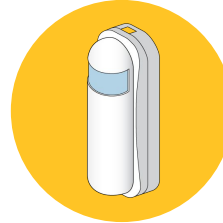
Overhead Radiant Panel (Elec.)

 230V panel

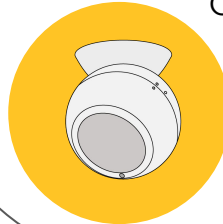
Switch &
Manual Boost



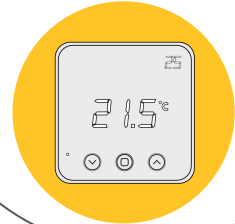
Occupancy Detection
Required



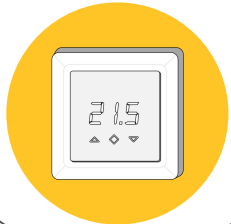
Optional



Manual Temperature
Adjustment & View
(Optional)

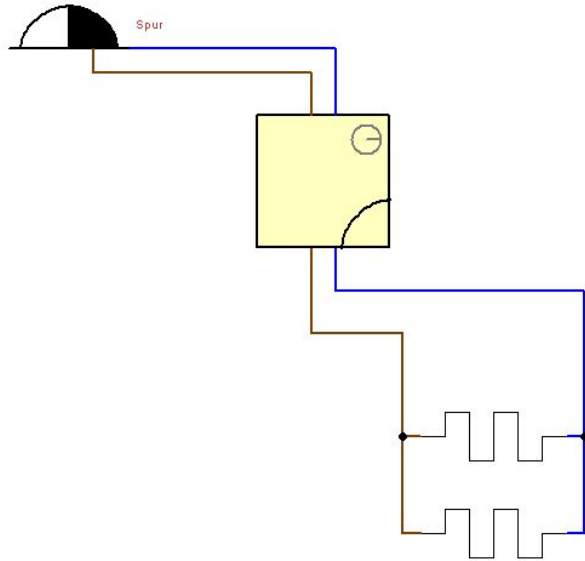


Switch & Manual
Temp. Adjustment
(Optional)

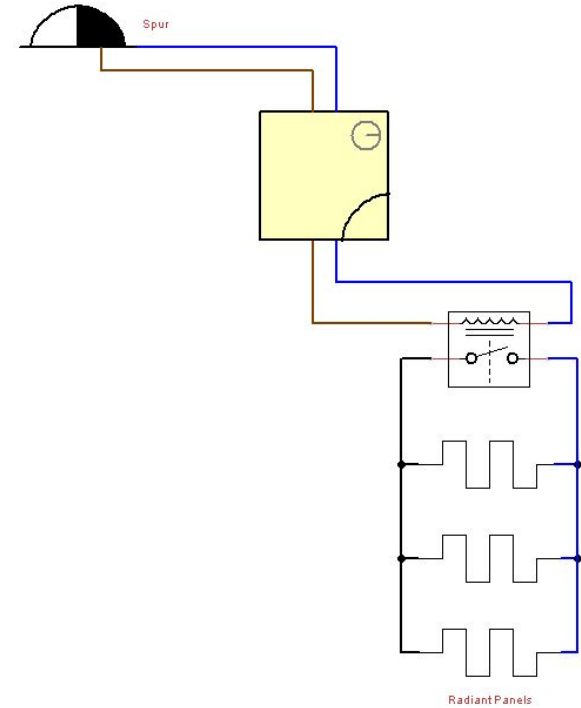


Feature: When room is vacated Radiant Panels are automatically disabled

Overhead Radiant Panel (Elec.) - Electrical connections

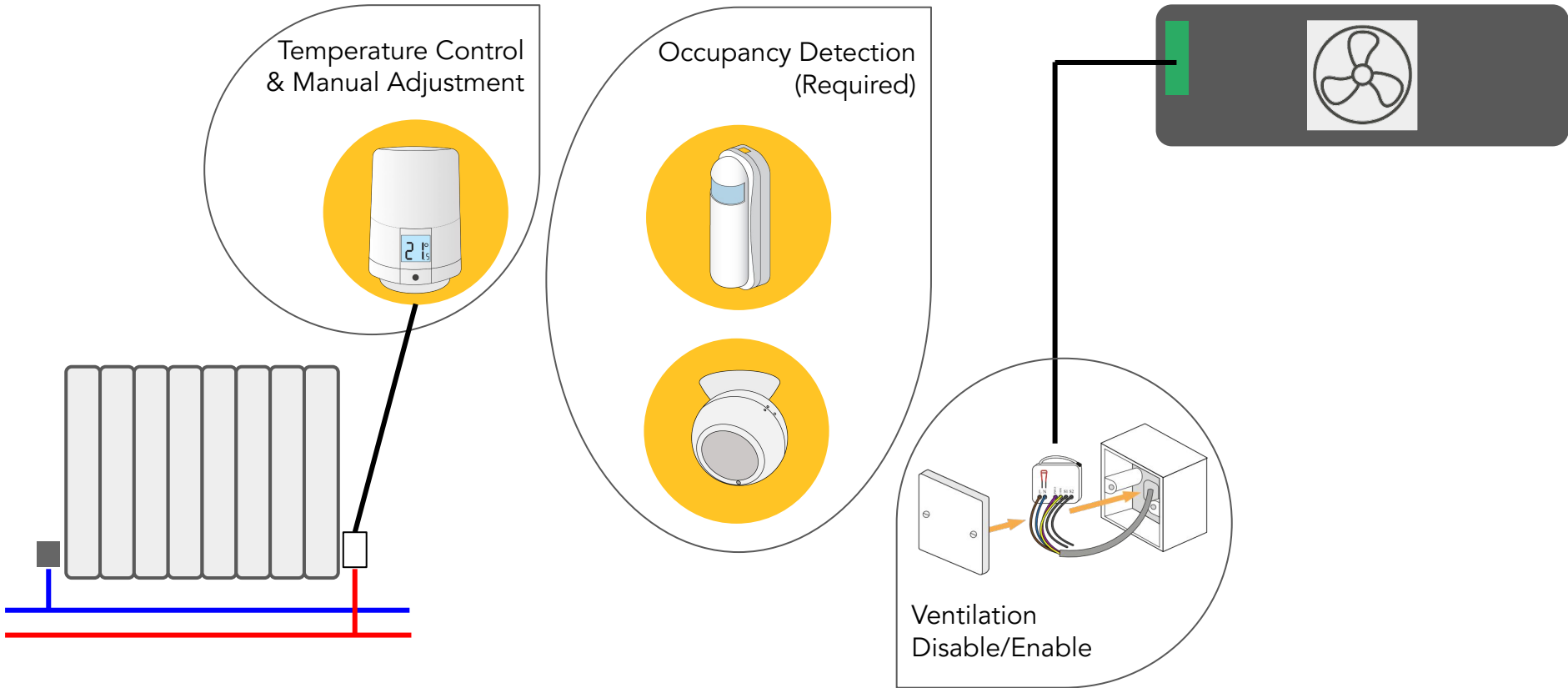


Total load < 13A



Total load > 13A
(contactor required)

Radiators and Ventilation (MVHR)

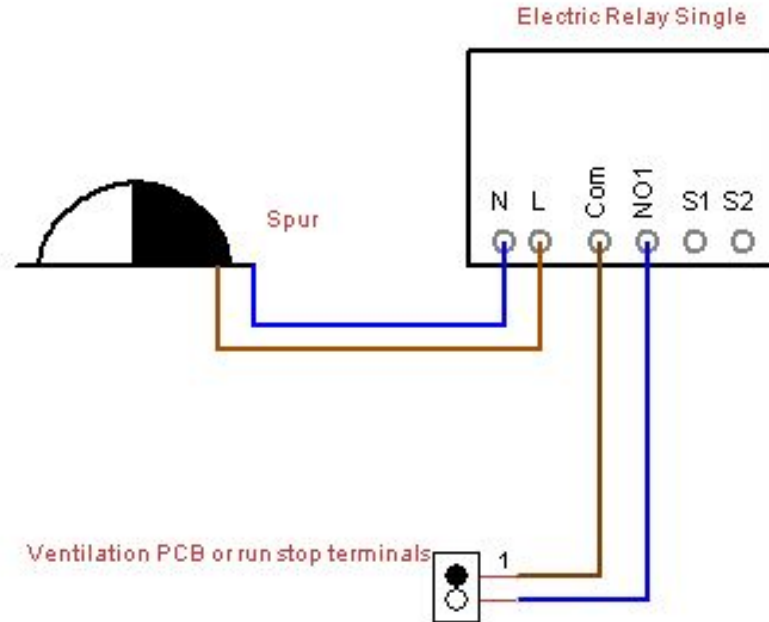


Programming:
Rad Zone = Radiator
MVHR Zone = ON/OFF
Occupancy triggers assigned to both zones

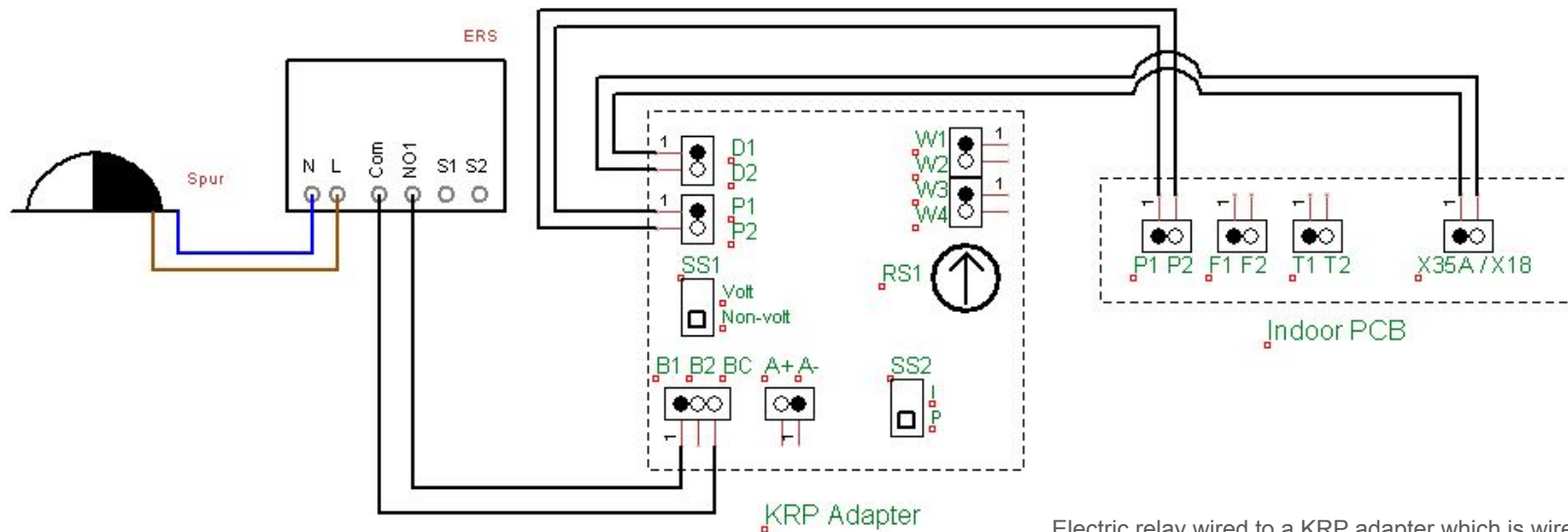
Feature: When room is vacated Radiators and MVHR are automatically disabled

Radiators and Ventilation (MVHR)

- Electrical connections



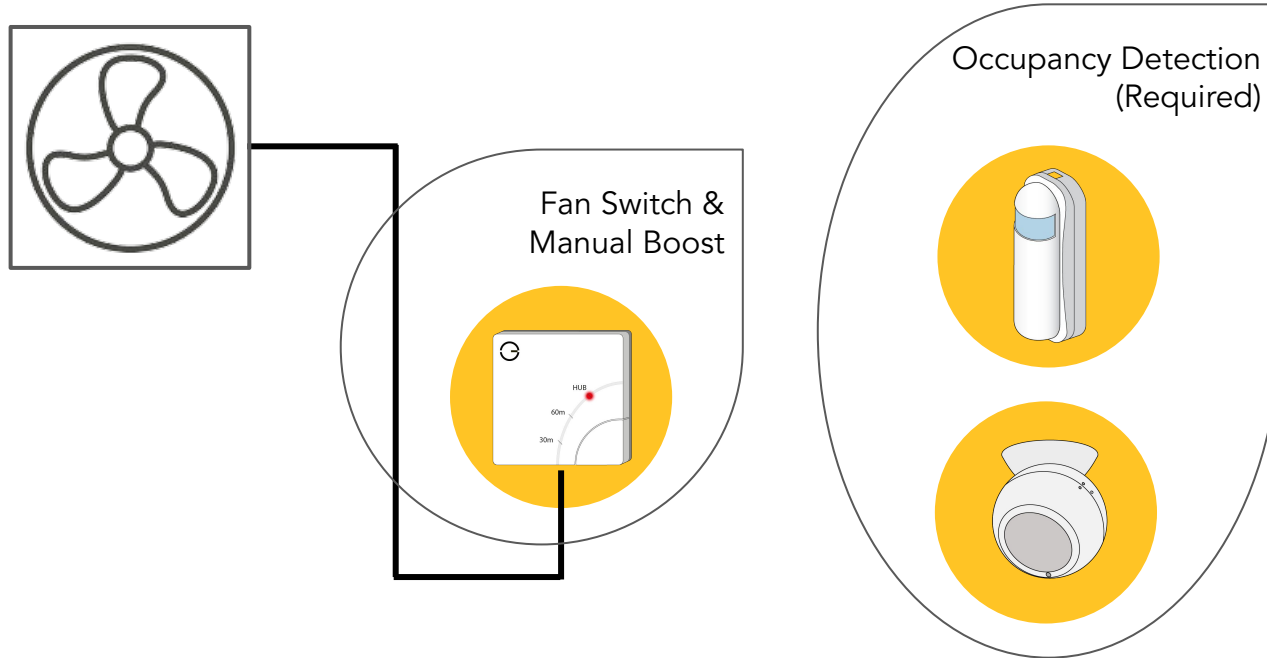
Daikin Ventilation (MVHR) - Electrical connections



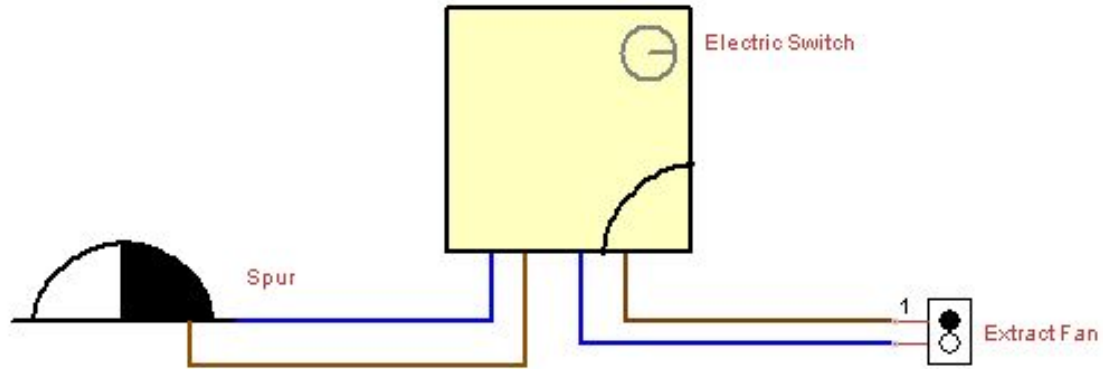
Electric relay wired to a KRP adapter which is wired to the PCB.
KRP Adapters are NOT supplied by Genius Hub

- **RS1 - Position 2**
- **SS1 - non-volt**
- **SS2 - P**
- **D1, D2 to connect to X35A (power supply)**

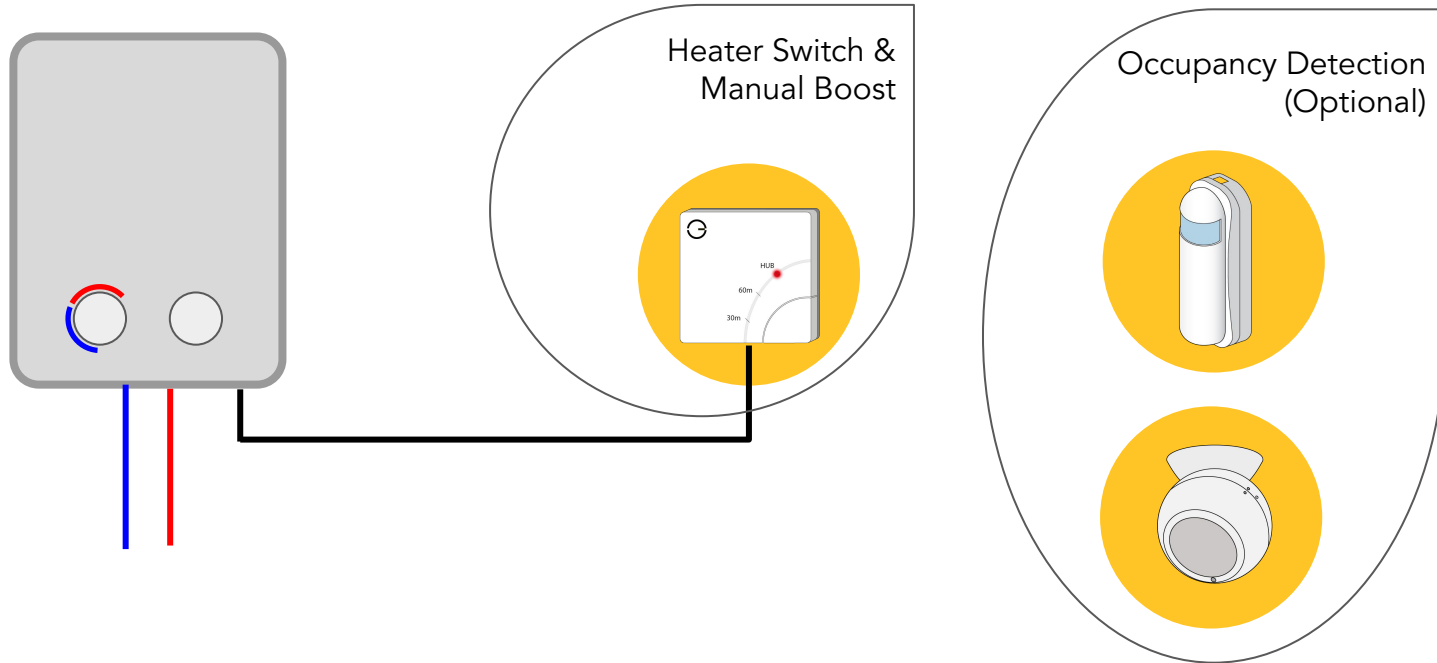
Extract Fan



Extract Fan - Electrical connections



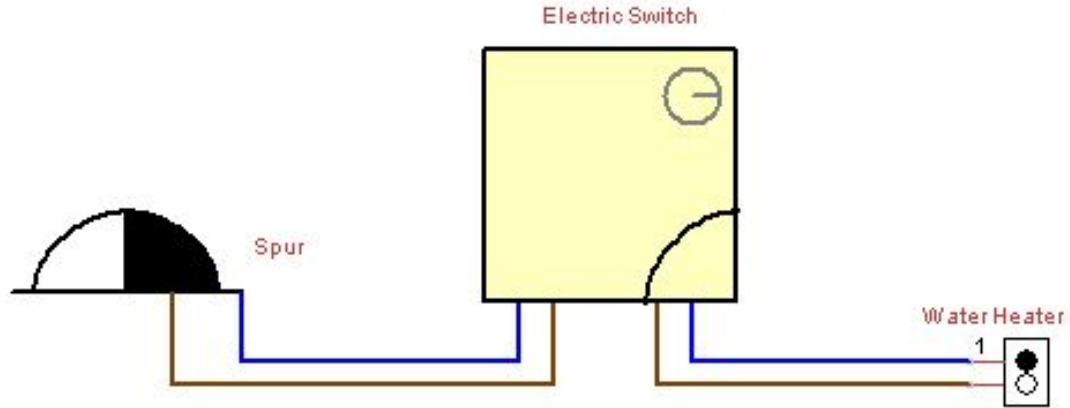
Water Heater



Programming:
Zone = ON/OFF
Occupancy triggers for all areas assigned to zone

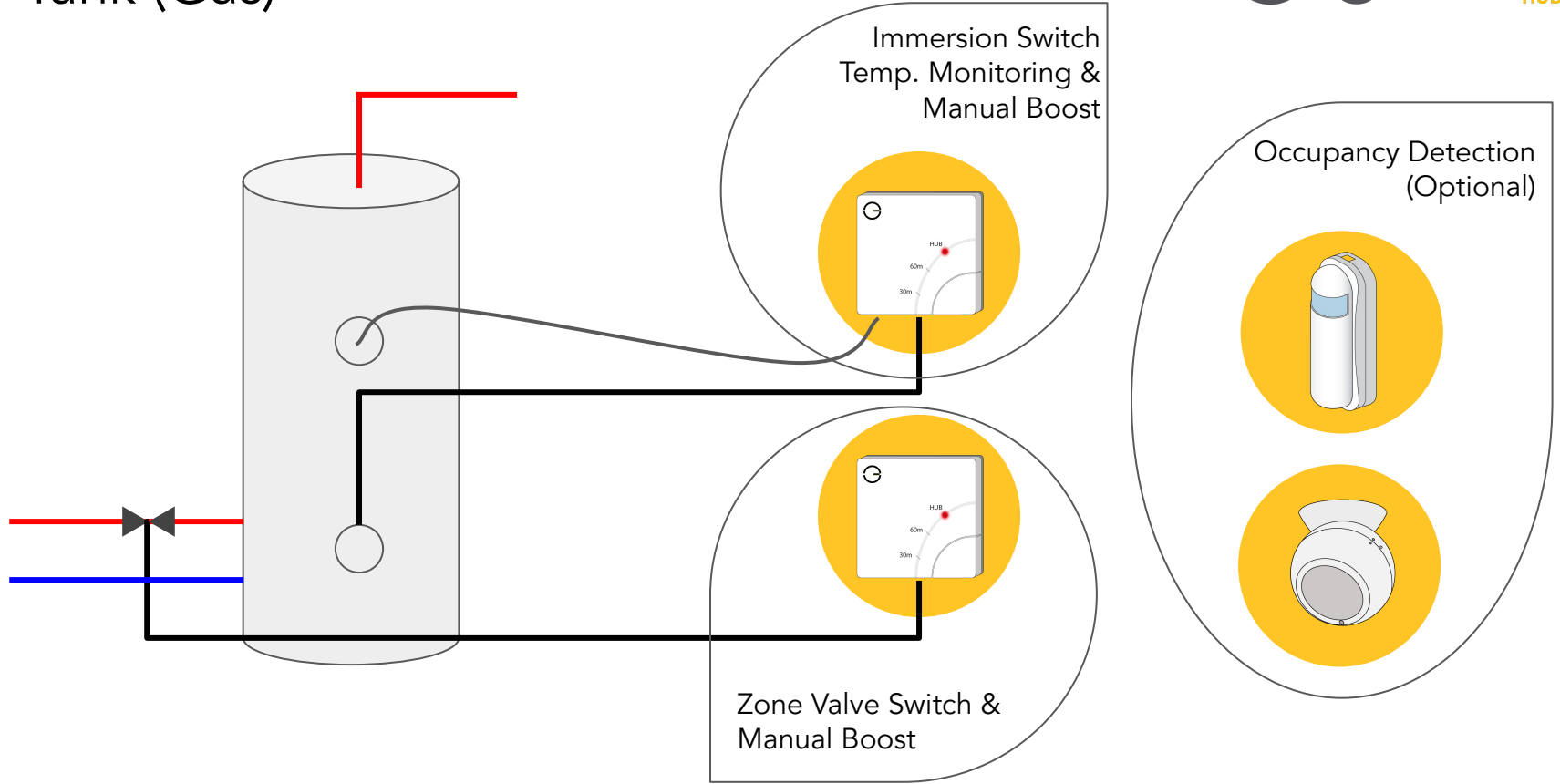
Feature: When area is vacated Water Heater is automatically disabled

Water Heater - Electrical connections



Total load <13A

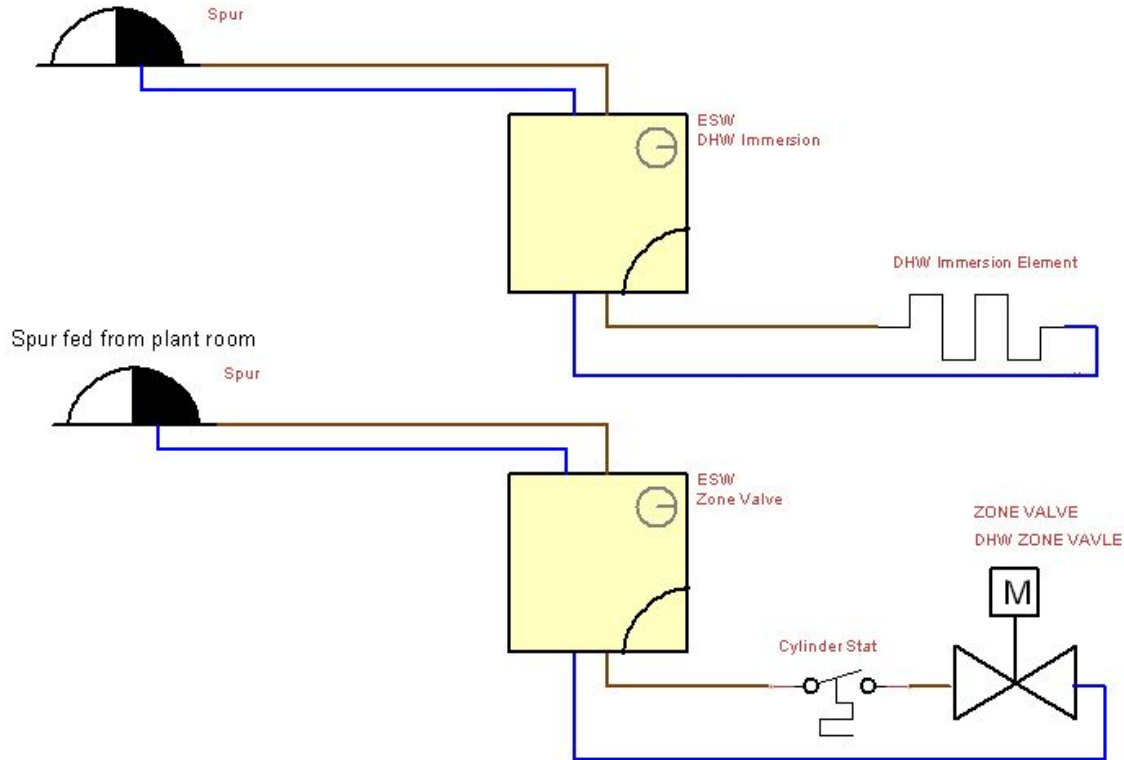
DHW Tank (Gas)



Programming:
Zone = TPI (boiler)
Occupancy triggers for all areas assigned to TPI zone
Zone = ON/Off (backup)

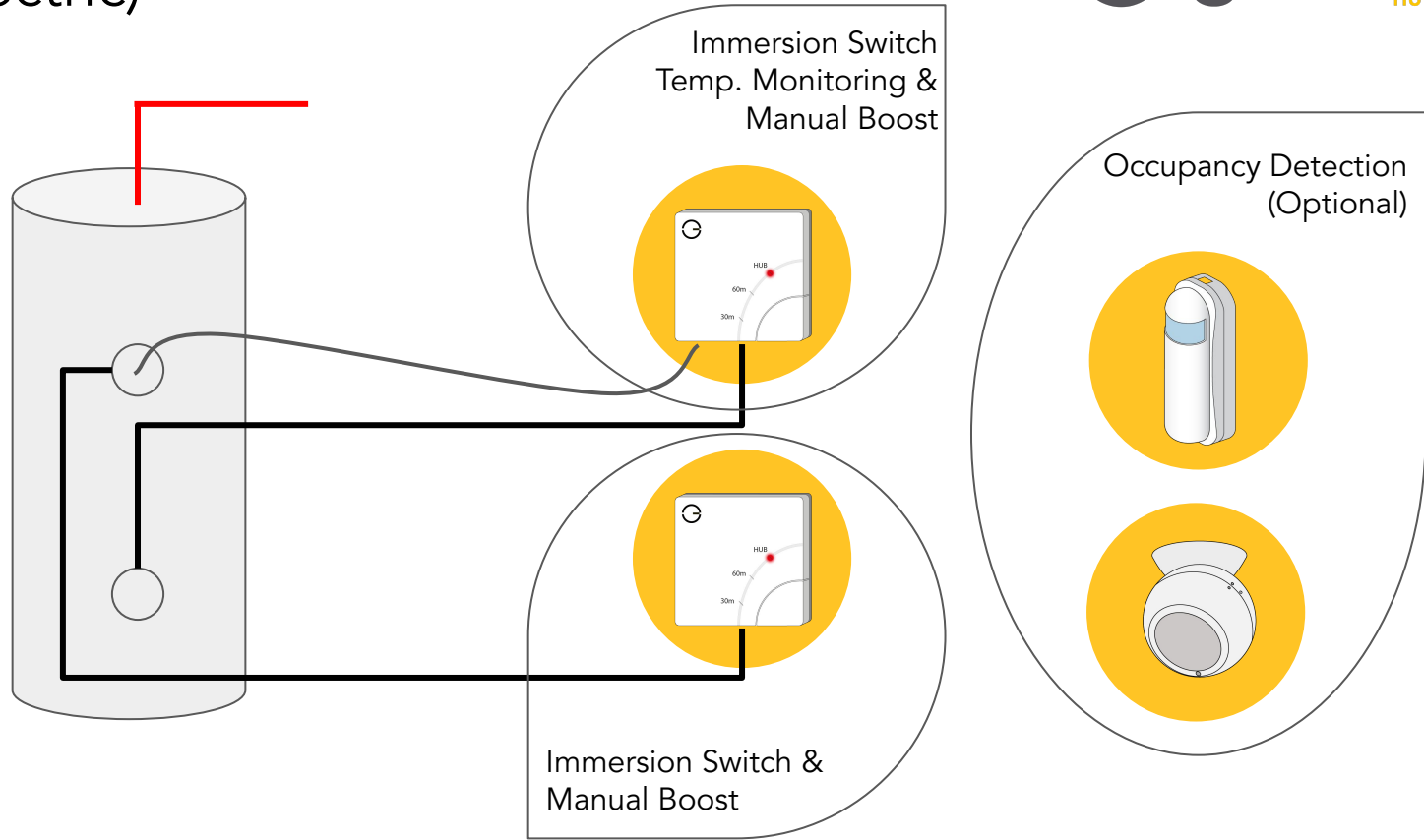
Feature: When area is vacated DHW is automatically disabled
Independent control of heating sources (remote electric immersion backup)

DHW Tank (Gas) - Electrical connections



Total load <13A

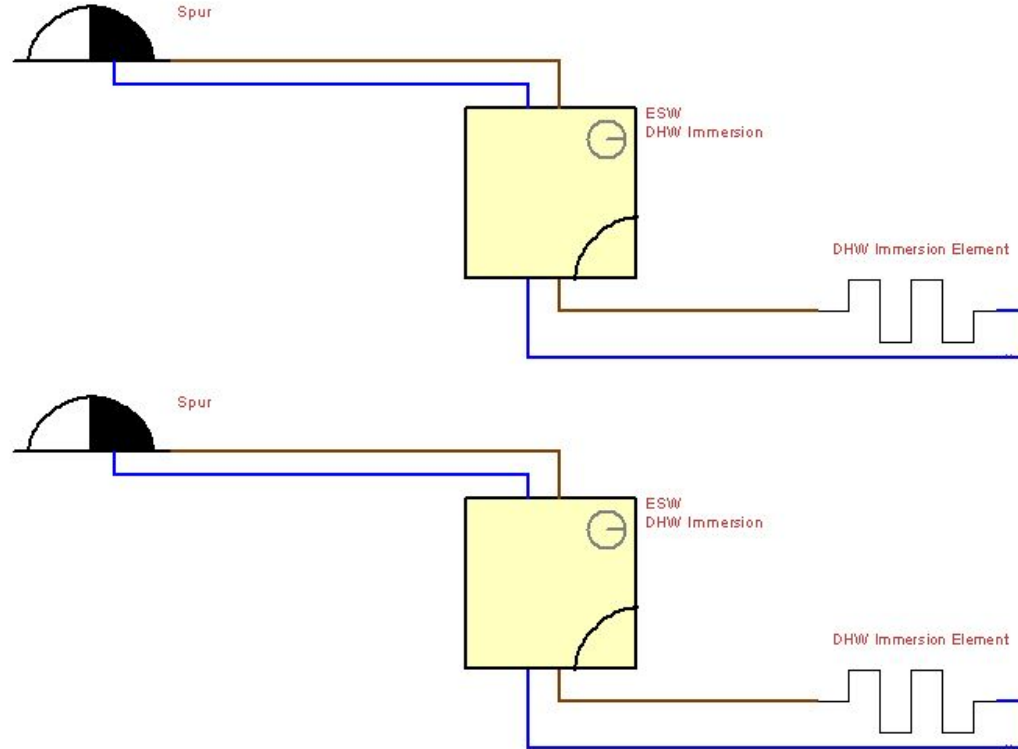
DHW Tank (Electric)



Programming:
Zone = TPI (Main)
Occupancy triggers for all areas assigned to TPI zone
Zone = ON/Off (Backup)

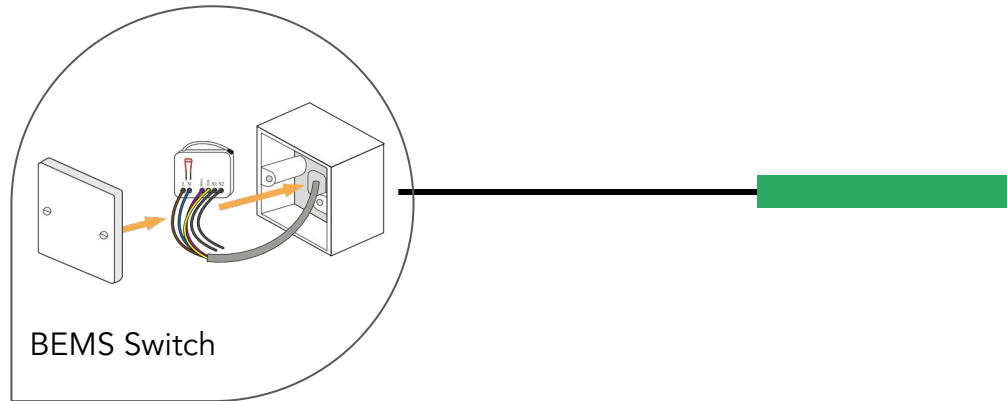
Feature: When area is vacated DHW is automatically disabled
Independent control of heating sources (remote electric immersion backup)

DHW Tank (Electric) - Electrical connections



Total load <math>< 13\text{A}</math>

BEMS



BEMS - Electrical connections

